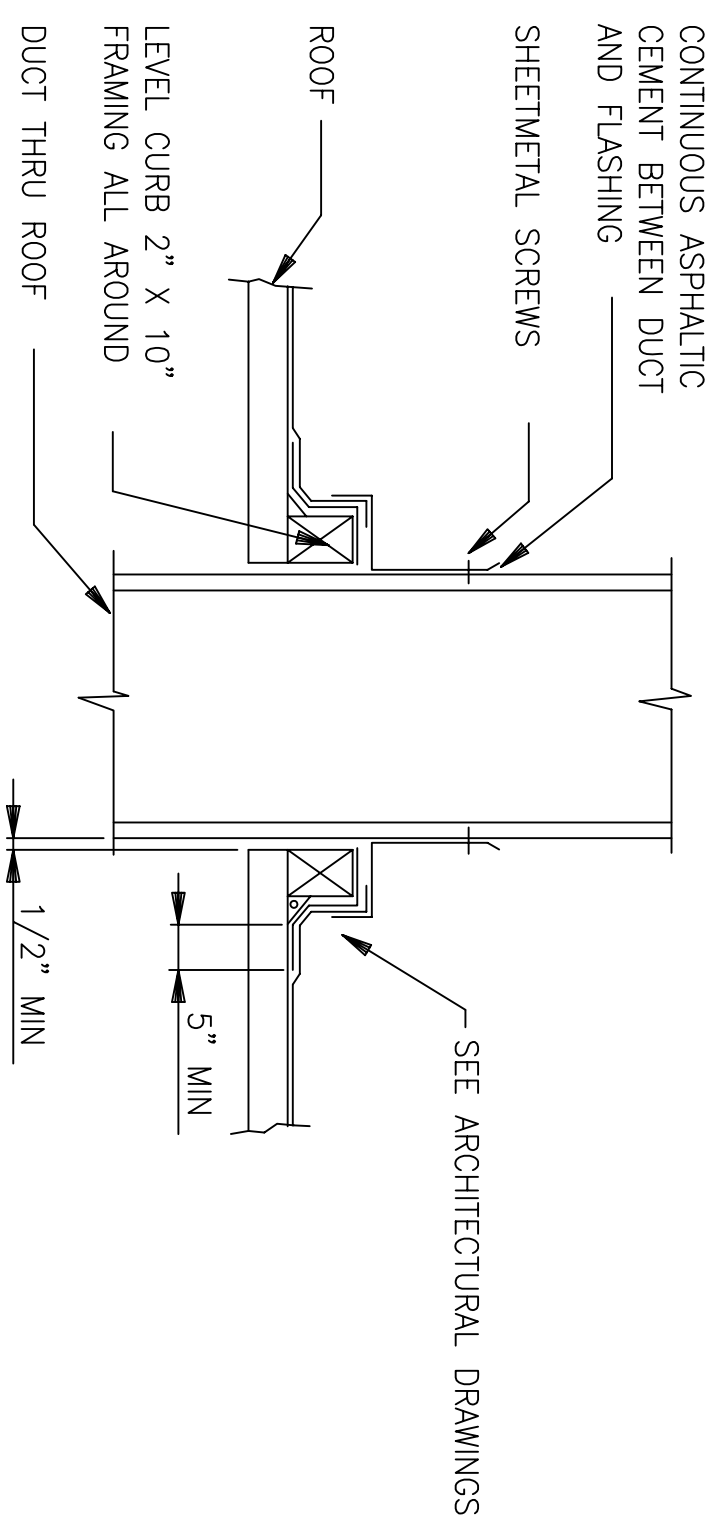


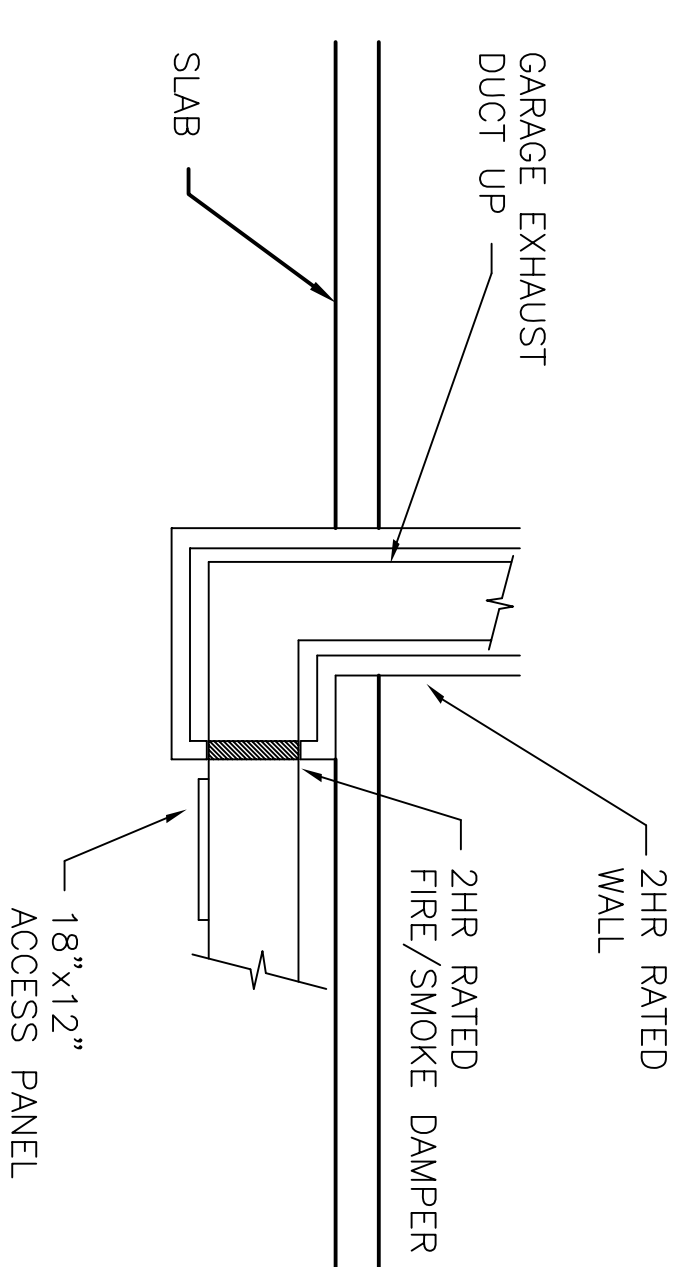
ROOFTOP UNIT VIB. ISOLATION

Scale	N.T.S.	Detail	7
Drawn	V.L.	Date	



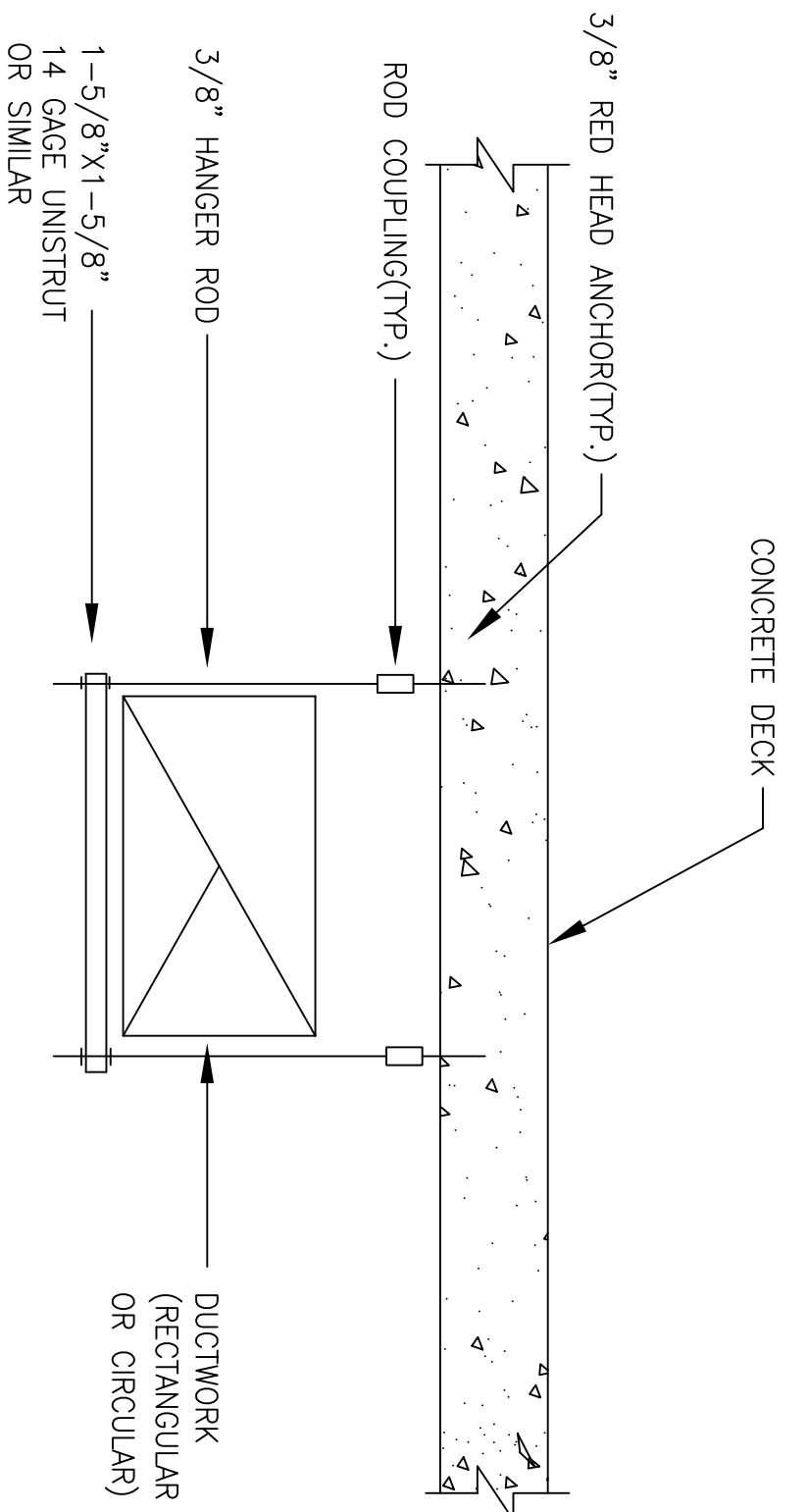
DUCT THRU ROOF DETAIL

Scale	N.T.S.	Detail	8
Drawn	V.L.	Date	



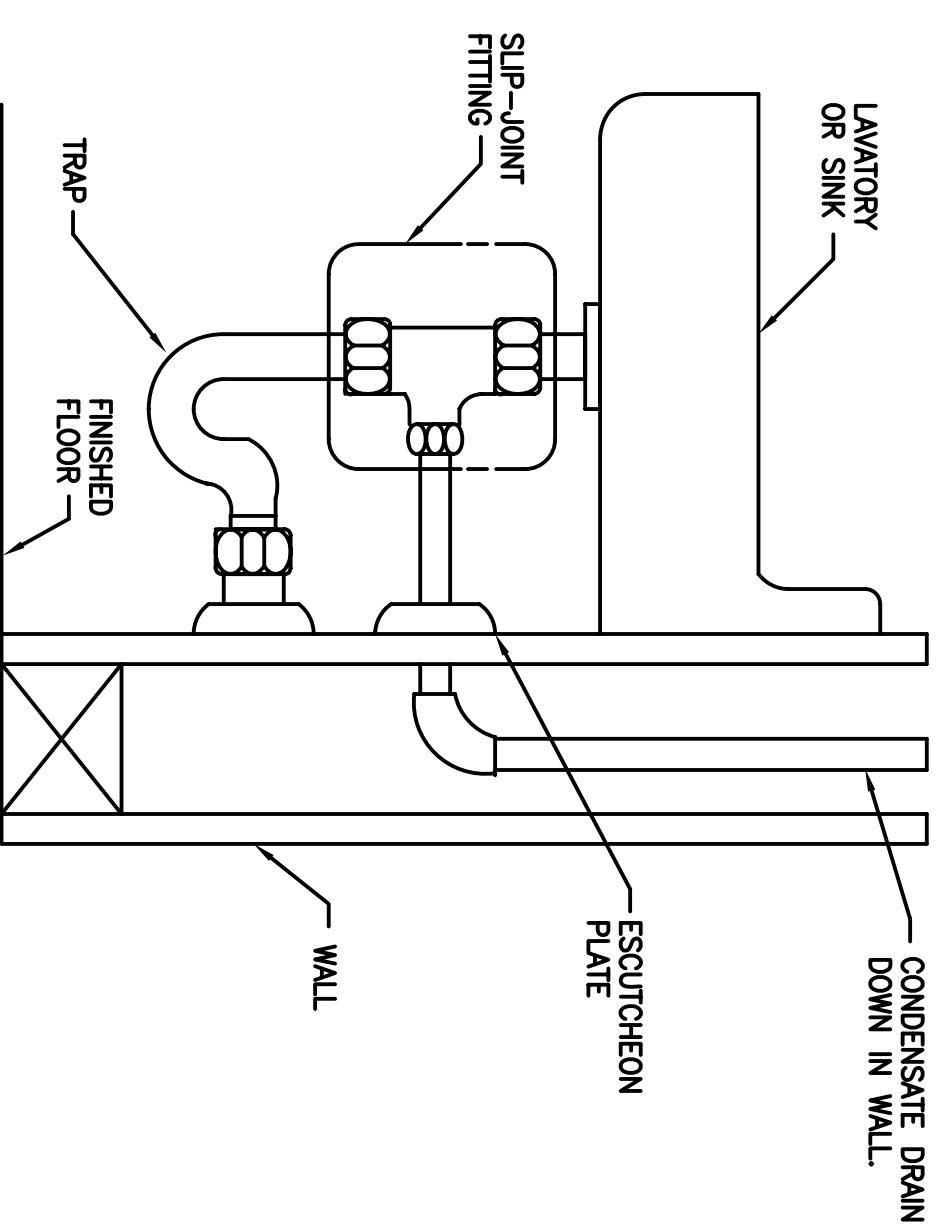
GARAGE EXH. FIRE/SMOKE DAMPER INSTALLATION DETAIL

Scale	N.T.S.	Detail	4
Drawn		Date	



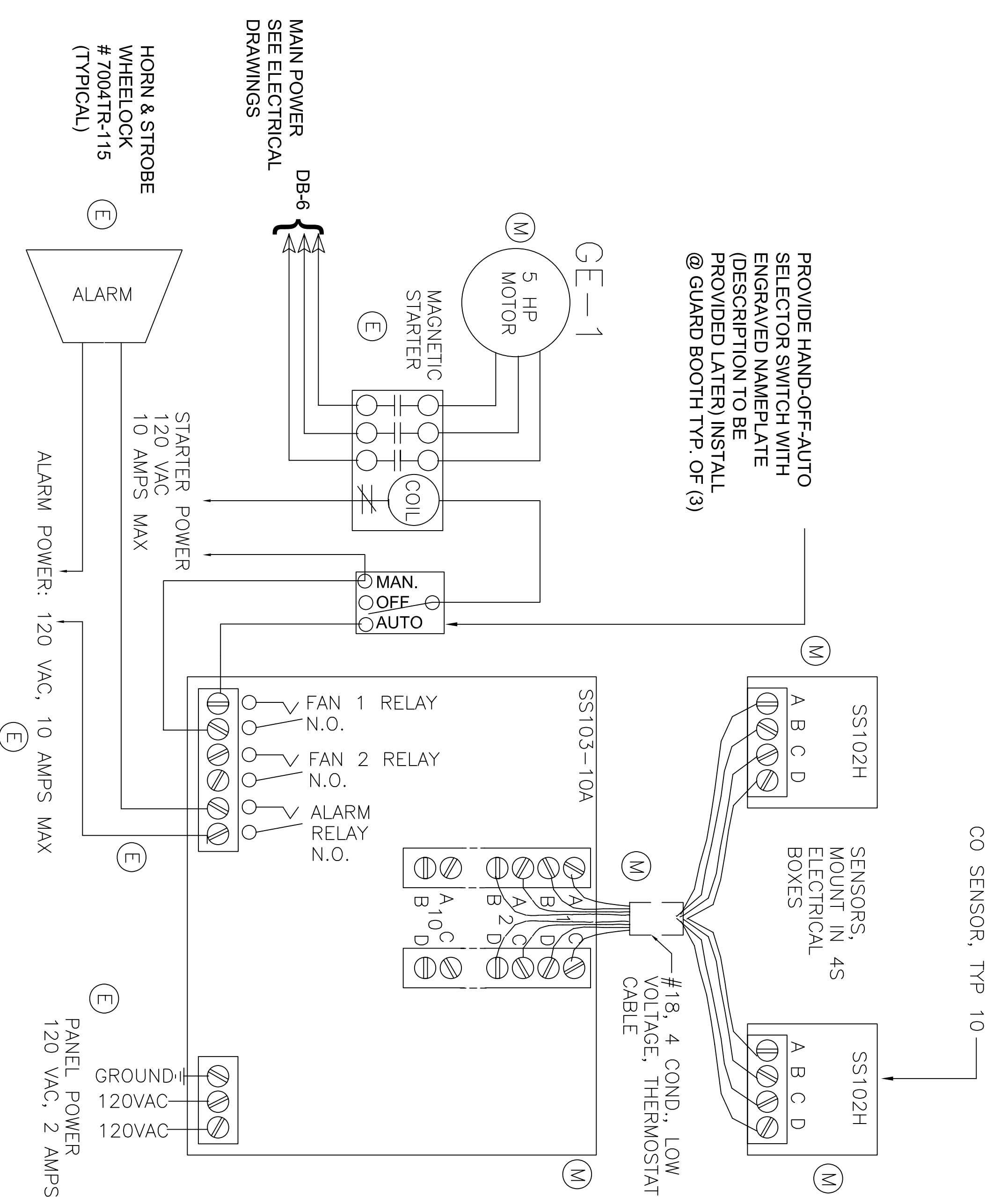
GARAGE DUCT SUPPORT

Scale	N.T.S.	Detail	5
Drawn		Date	



COND. DRAIN CONNECTION

Scale	N.T.S.	Detail	6
Drawn		Date	



1 WIRING DIAGRAM FOR GARAGE EXHAUST FAN
SCALE: NONE

(M) DENOTES WORK DONE BY THE MECHANICAL CONTRACTOR
(E) DENOTES WORK DONE BY THE ELECTRICAL CONTRACTOR



L&V ARCHITECTS
1514 17th Street, Suite 207
Santa Monica, CA 90404
Tel. (310) 829 0996; Fax. (310) 829 7889

MR. ALI MADANI & MR. HOSSEIN ASHTIANI
5 UNIT CONDOMINIUMS at
1327 EUCLID STR., SANTA MONICA, CA-90404

TITLE MECHANICAL
DETAILS

SCALE N.T.S.
DATE 2-19-07

SHEET NUMBER

M-7

No.	REVISION	DATE